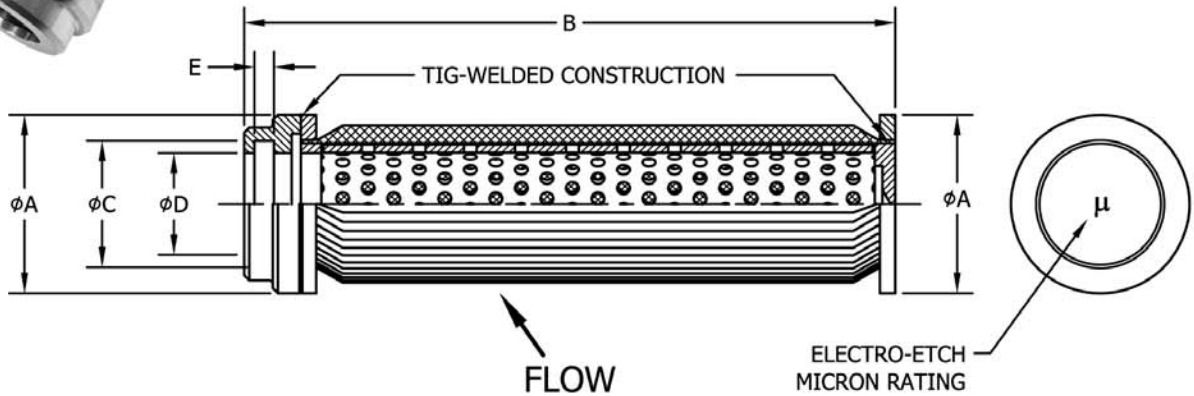




# 86900 Filter Element

(For Industrial Applications)



## Part Number Definition: 86900- $\triangle_1$ - $\triangle_2$ -(matl)

Standard Material: 304 CRES, Alt Material Availability: 304L, 316, 316L, 347

Add "P" following main part number for passivation per AMS 2700

Add "SP" following main part number for all other passivation requirements

Calculated Minimum Collapse Pressure 4,500 PSI

**Part Number Examples: 86900P-3-5 • 86900-6-40-316 S\* = Short Length**

Dash No $\triangle_1$	A	B	C	D	E	Minimum Effective Filtration Area
-12S*	± .03	± .060	± .001	+0.001	± .005	60.0 sq. in.
-12	1.76"	4.500"	1.242"	1.010"	.193"	80.0 sq. in.
-16	2.00"	7.000"	1.427"	1.250"	.193"	100.0 sq. in.
-20	2.38"	9.590"	1.617"	1.375"	.193"	160.0 sq. in.

Alternate Configurations and Engineering Assistance Available

Micron $\triangle_2$	When Filtering Liquids		When Filtering Gasses	
	Nominal Micron 98% Removal	Absolute Micron 100% Removal	Nominal Micron 98% Removal	Absolute Micron 100% Removal
2	2	15	1	9
5	5	18	3.5	13
10	10	25	6	18
17	17	45	11	25
40	40	70	30	55
70	70	105	50	85
105	105	150	85	130
140	140	200	115	170
250	250	350	200	300
280	280	395	225	320
440	440	620	355	500