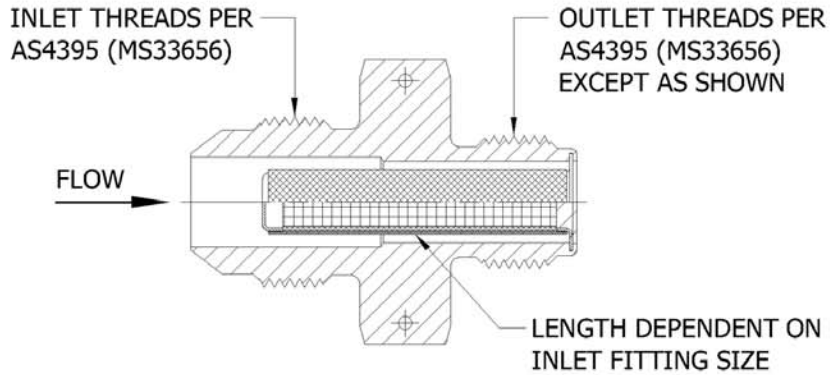




# 84600 Filter Reducer

For AS5174 (AN919) Applications



## Part Number Definition: 84600- $\triangle 1$ (matl)- $\triangle 2$

Standard Material: 304 CRES  
 Add "SP" following main part number for all other passivation requirements  
 Add "P" following main part number for passivation per AMS 2700

Add "D" after dash no for 2024 Alum Fitting  
 Add "W" after dash no for 7075 Alum Fitting  
 Add "C" after dash no for 303 SS Fitting  
 Add "K" after dash no for 316 SS Fitting  
 Add "R" after dash no for 321 SS Fitting

**Part Number Examples: 84600P-5-4C-40 • 84600SP-4-6D-17-316L**

### Other AS5174 Sizes Available Upon Request

Dash No $\triangle 1$	Tube OD	Inlet Thread UNFJ-3A	Outlet Thread UNFJ-3A
-2-4	1/8"	.3125-24	.4375-20
-3-4	3/16"	.3750-24	.4375-20
-4-5	1/4"	.4375-20	.5000-20
-5-4	5/16"	.500-20	.4375-20
-4-6	1/4"	.4375-20	.5625-18
-6-4	3/8"	.5625-18	.4375-20

Alternate Configurations and Engineering Assistance Available

Micron $\triangle 2$	When Filtering Liquids		When Filtering Gasses	
	Nominal Micron 98% Removal	Absolute Micron 100% Removal	Nominal Micron 98% Removal	Absolute Micron 100% Removal
2	2	15	1	9
5	5	18	3.5	13
10	10	25	6	18
17	17	45	11	25
40	40	70	30	55
70	70	105	50	85
105	105	150	85	130
145	145	205	120	175