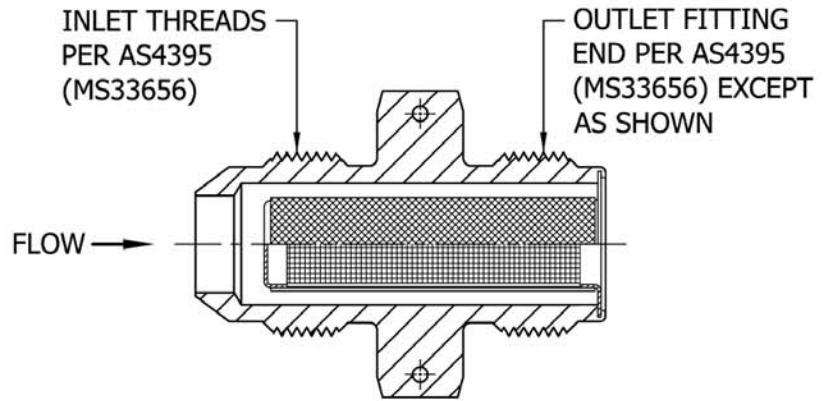


# 84400 Filter Fitting, Flared

For AS5174 (AN815) Applications



## Part Number Definition: 84400- $\triangle 1$ (matl)- $\triangle 2$

Standard Material: 304 CRES  
 Add "SP" following main part number for all other passivation requirements  
 Add "P" following main part number for passivation per AMS 2700

Add "D" after dash no for 2024 Alum Fitting  
 Add "W" after dash no for 7075 Alum Fitting  
 Add "C" after dash no for 303 SS Fitting  
 Add "K" after dash no for 316 SS Fitting  
 Add "R" after dash no for 321 SS Fitting

### Part Number Examples: 84400P-4C-40 • 84400SP-8D-17

Dash No $\triangle 1$	Tube OD	Min. Effective Filter Area
4	.250"	.31 in <sup>2</sup>
5	.312"	.40 in <sup>2</sup>
6	.375"	.50 in <sup>2</sup>
8	.500"	.75 in <sup>2</sup>
10	.625"	1.00 in <sup>2</sup>
12	.750"	1.38 in <sup>2</sup>

Alternate Configurations and Engineering Assistance Available

Micron $\triangle 2$	When Filtering Liquids		When Filtering Gasses	
	Nominal Micron 98% Removal	Absolute Micron 100% Removal	Nominal Micron 98% Removal	Absolute Micron 100% Removal
2	2	15	1	9
5	5	18	3.5	13
10	10	25	6	18
17	17	45	11	25
40	40	70	30	55
70	70	105	50	85
105	105	150	85	130
145	145	205	120	175
250*	250	350	200	300

\*Support core omitted for 250 micron and greater